

SMART SAFETY NET - THE SMARTER WAY TO DO SAFETY

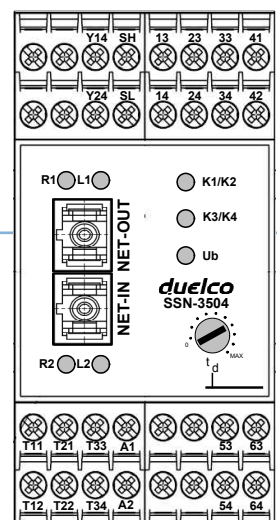


SSN-3504

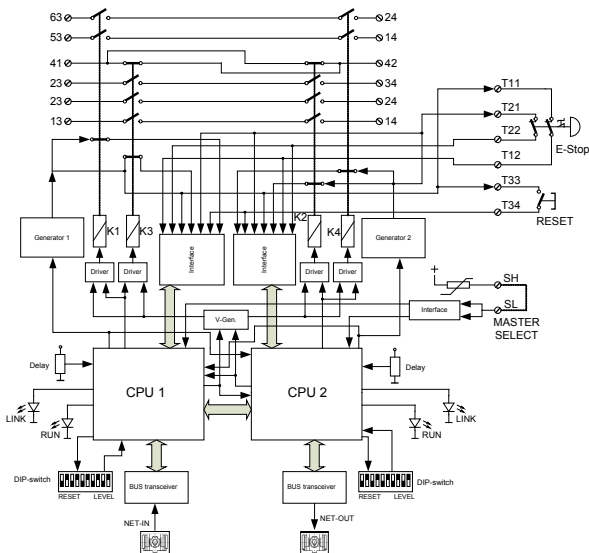
With the safety communication module Smart Safety Net (short SSN) Duelco has developed a complete new safety concept. The SSN is a data bus which can be used in safety systems. The basic idea of the SSN is to link safety systems (safety relays) in an easy and safe way.

The SSN-3504 is the newest communication module in the SSN family and is characterized by:

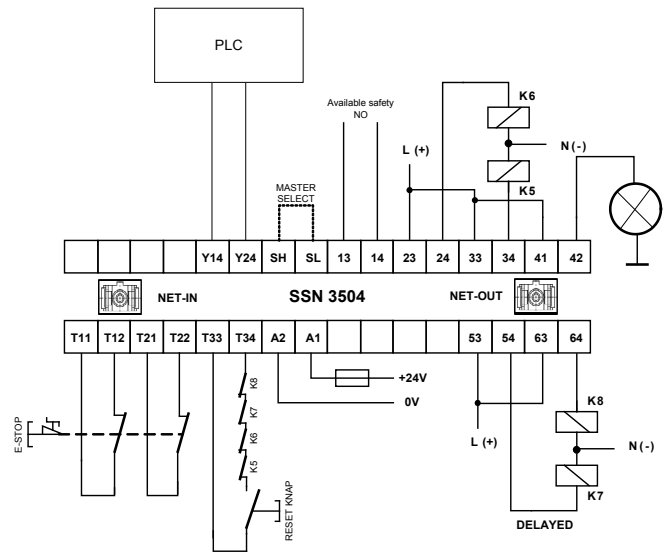
- Optical communication (fiber) - possibility for longer wiring distances between the SSN-modules
- Option: RS485 ethernet cable connection
- Immune towards electronic noise
- 5 safety outputs – two outputs can be delayed
- Extended programming possibilities via DIP-switches



BLOCK DIAGRAM



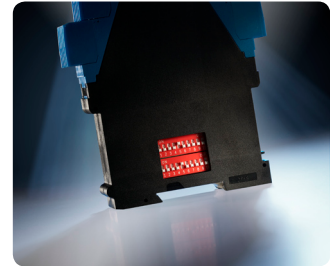
CONNECTION EXAMPLE



THE CONFIGURATION - 8 EASY STEPS

VIA DIP-SWITCHES

- 1: Configure which zone / group the SSN-module belongs to
- 2: Configure the reset type (local or global reset)
- 3: Configure the local / global STOP behavior
- 4: Configure which zone / group the SSN-module has to react on
- 5: Configure the reset mode (automatic, manual or monitored reset)
- 6: Configure group masks
- 7: Snap the SSN-module to your DIN rail
- 8: Connect the SSN-module to the safety module and power supply



TECHNICAL DATA / SPECIFICATIONS

- Up to 4 zones can be configured
- No need for configuring software
- Easy to install
- Easy to extend
- Up to 25 units can be connected in the network
- It is possible to achieve a fiber cable length up to 1000 m between each unit
- Network connection: SC/SC 62,5 / 125 μ m
- Baudrate at 0,5MB/s
- Response time of the SSN-system: < 85 ms
- Min. respons time at nominal voltage: < 50 ms
- Manual monitored reset, monitored reset or automatic reset, manually monitored reset with automatic reset at power up
- LED indication of power on and dynamic signals
- 2 transistor outputs for status indication
- Dual-channel structure of safety section
- Requirements for connected safety relay: Cut in < 250ms; cut out < 60ms
- International approvals by BG and cUL
- Fulfills the requirements in, EN 954-1 up to and including Cat 4, IEC 61508 up to and including SIL 3, EN 13849-1

Order information

Article number	Description
42013504	SSN-3504 24VDC

